

Media Screen Units

These versatile units provide secure storage for media electronics. Has rack mounting as standard and shelves optionally available. Mast and PZX mount for screens up to 70".

Order Code		£ Ex Vat
ASD5	Square Style Unit with AVR5 Cabinet	807.30
ASD7	Square Style Unit with AVR7 Cabinet	826.60
ASD9	Oval Style Unit with AVR9 Cabinet	854.60

Media Cabinets & Lectern

Cabinet only - with provision to add mast.

Order Code	mm	£ Ex Vat
AVR5	Standard cabinet 500w x 700h x 500d	449.20
AVR7	Extra deep cabinet 500w x 700h x 700d	468.50
AVR9	Oval style cabinet 500w x 700h x 500d	496.50
AVR11	Oval style lectern 500w x 700h x 500d	1205.10

Accessories

Order Code	mm	£ Ex Vat
VR500	Shelf - 500 deep	51.50
VR700	Shelf - 700mm deep	52.75

AVR11
Prices quoted are ex-works - despatched by dedicated courier

AVR11 Lectern Media Cabinet
* Fast order turnaround
* branding options available

Custom made control unit designed to your specifications

Shown with articulating arm and control housing which can be ordered separately.

- Call for details

Typically 33-57" screens
60kg MAX



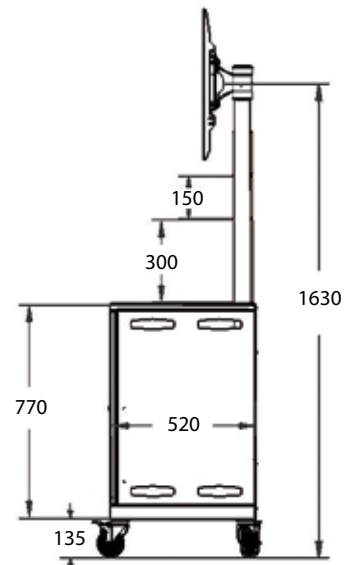
Typically 33-70" screens
60kg MAX



ASD9 Media Screen Unit



AVR7 Extra deep Media Cabinet



AVR5 shown above with VR500



Green Road 01865
Oxford, OX3 8EU, 767676
UK sales@unicol.

